

Grainline 2019 TG35R Large Gearbox Upgrade Retrofit instructions

Supplied Parts List

- TG35R Large 2019 Version Reversible Gearbox x 1
 - New Style Pump Coupling Assembly x 1
 - TLB3020 or TLB2517 40mm Bore Taper Lock Bush x 1
 - TLB1610 35mm Bore Taper Lock Bush x 1
 - Grainline Blue Touchup Paint x 1
-

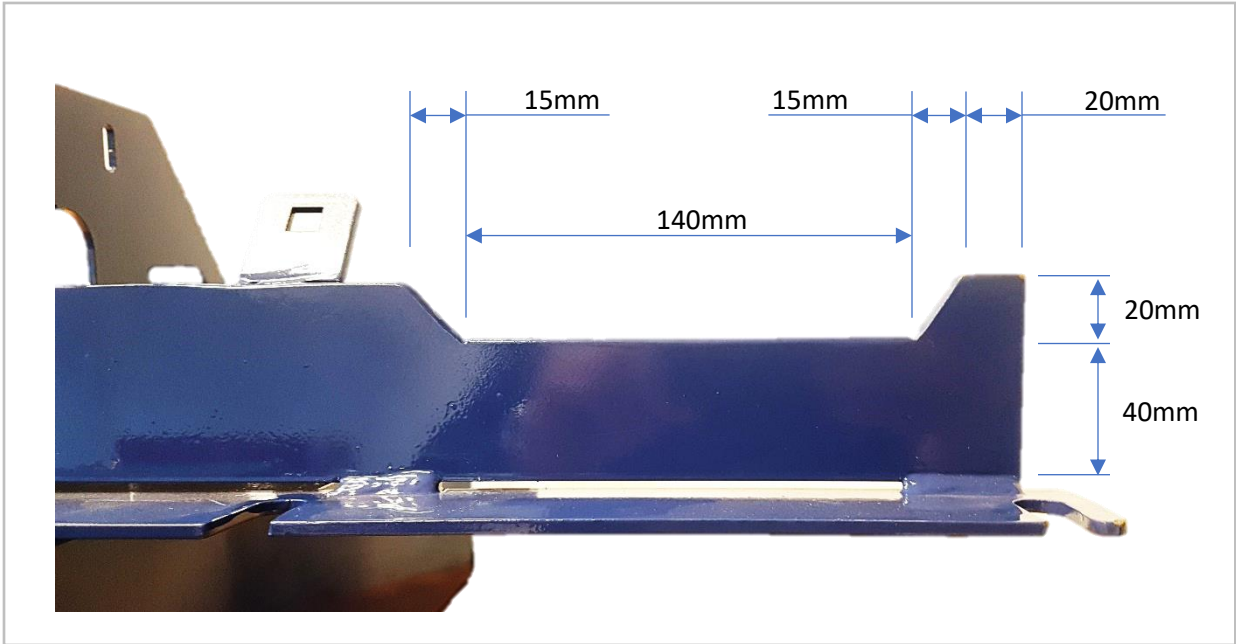
Installation Instructions

To ensure correct installation of the upgraded gearbox the following modifications will need to be made to the hydraulic oil reservoir.

Step 1.

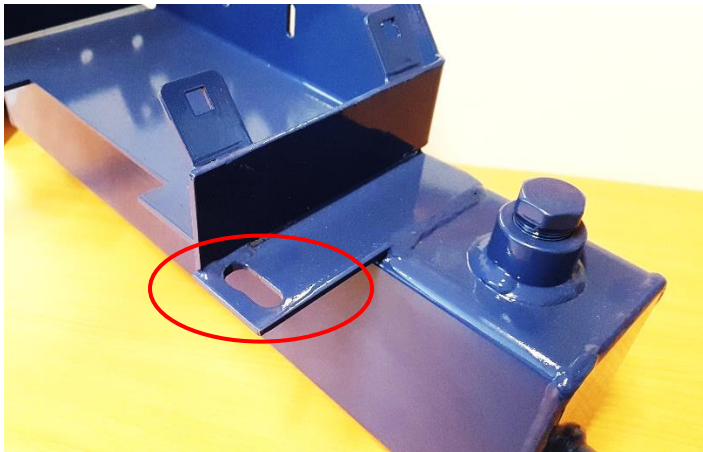
Slot out bracket as shown below to allow free movement of the gearbox selector handle. (Note: this is not necessary for all models, check measurements prior to doing modifications).





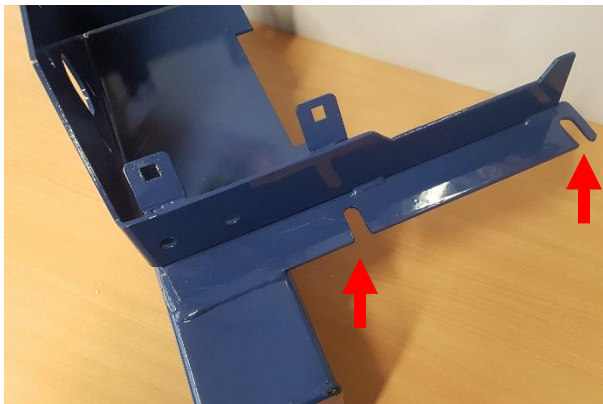
Step 2.

Increase length of forward bolt mounting slotted hole as shown below.



Step 3.

Slot out rear bolt mounting slotted holes as shown below.



Step 4.

Using the supplied aerosol of Grainline Blue paint, touch up the modified areas then reassemble the gearbox and tank assembly and check for correct functionality.



For any questions or assistance please contact Grainline on 1800 810 498.